

***Tanaka***

**Parts Catalog**

**Brush Cutter**

**Model: TBC-355/DH**

Part # 10896 11-4-96

# TBC-355/DH

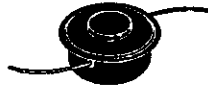
## OPTIONS AND ACCESSORIES

### NYLON LINE



- 746157 .105, Box, 50 ft.
- 746161 .105, 1/2 lb. Box, 110 ft
- 746162 .130, 1/2 lb. Box, 75ft.
- 746166 .105, 1 lb. Box, 235 ft.
- 746167 .130, 1 lb. Box, 150 ft.
- 746170 .105, 3 lb. spool, 705 ft.
- 746171 .130, 3 lb. spool, 450 ft.
- 746174 .105, 5 lb. spool, 1175 ft.
- 746175 .130, 5 lb. spool, 750 ft.

### SEMI-AUTO HEAD



746153 PNH-180

#### Parts List

ET-1201	Body
ET-1206	Cap
ET-1225	Adapter
ET-1205	Spool
ET-1207	Eyelet
ET-1208	Spring
ET-1209	Bump Disk

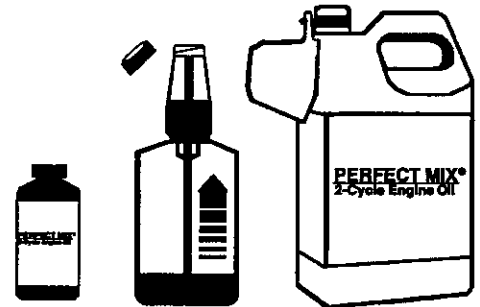
### ALUMINUM MANUAL HEAD



PCH-100  
(746180)

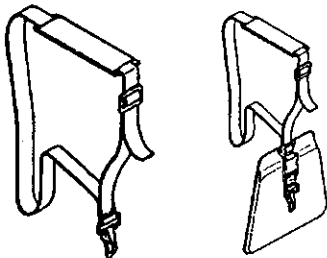
PCH-300  
(746190)

### PERFECT MIX® 2-Cycle Engine Oil



- 700109 2.8 oz. Bottle, 1 Gallon Size (24\*)
- 700108 16 oz. Self-measuring Bottle (24\*)
- 700110 1 Gallon Jug Commercial Size (6\*)
- \* Case Quantity

### SHOULDER STRAPS



PSS-175

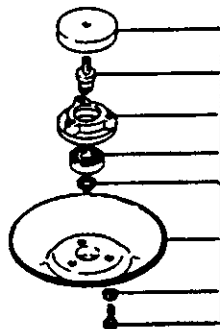
SS-250

### BLADES



- 746105 Weed Blade, 10"X4T
- 746106 Weed Blade, 10"X8T
- 746108 Saw Blade, 10"X80T
- 746192 Carbide Blade, 9"X36T

### BLADE SAFETY DISK



BSD-100

#### BSD-100 Parts List

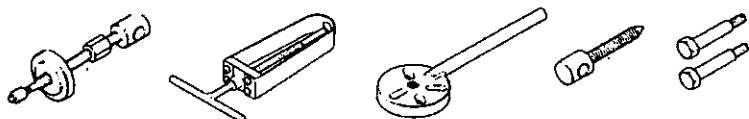
- 603-33411-200 Cover, disk
- 604-33411-204 Bolt, disk fixing
- 602-33411-201 Metal, disk
- 999-66100-203 Bearing, ball
- 993-50015-002 Ring, stop
- 601-33411-201 Disk, safety
- 992-10060-012 Washer,s, 6mm
- 990-21060-151 Bolt, 6x15mm

### MANUALS / CATALOGS

- 10530 Owner's Manual
- 10896 Parts Catalog

### SPECIAL TOOLS

- |               |                    |               |                 |
|---------------|--------------------|---------------|-----------------|
| 006-29326-000 | Flywheel Remover   | 020-29013-000 | Coil gap guage  |
| 009-29326-000 | Piston Pin Remover | 001-29000-000 | Tachometer      |
| 015-29338-000 | Gear Shaft Remover | 070-2000W-500 | Pressure Tester |
| 016-29371-000 | Pinion Remover     | 070-2000W-501 | Carb. Tool Kit  |



**FIG.1 ENGINE**

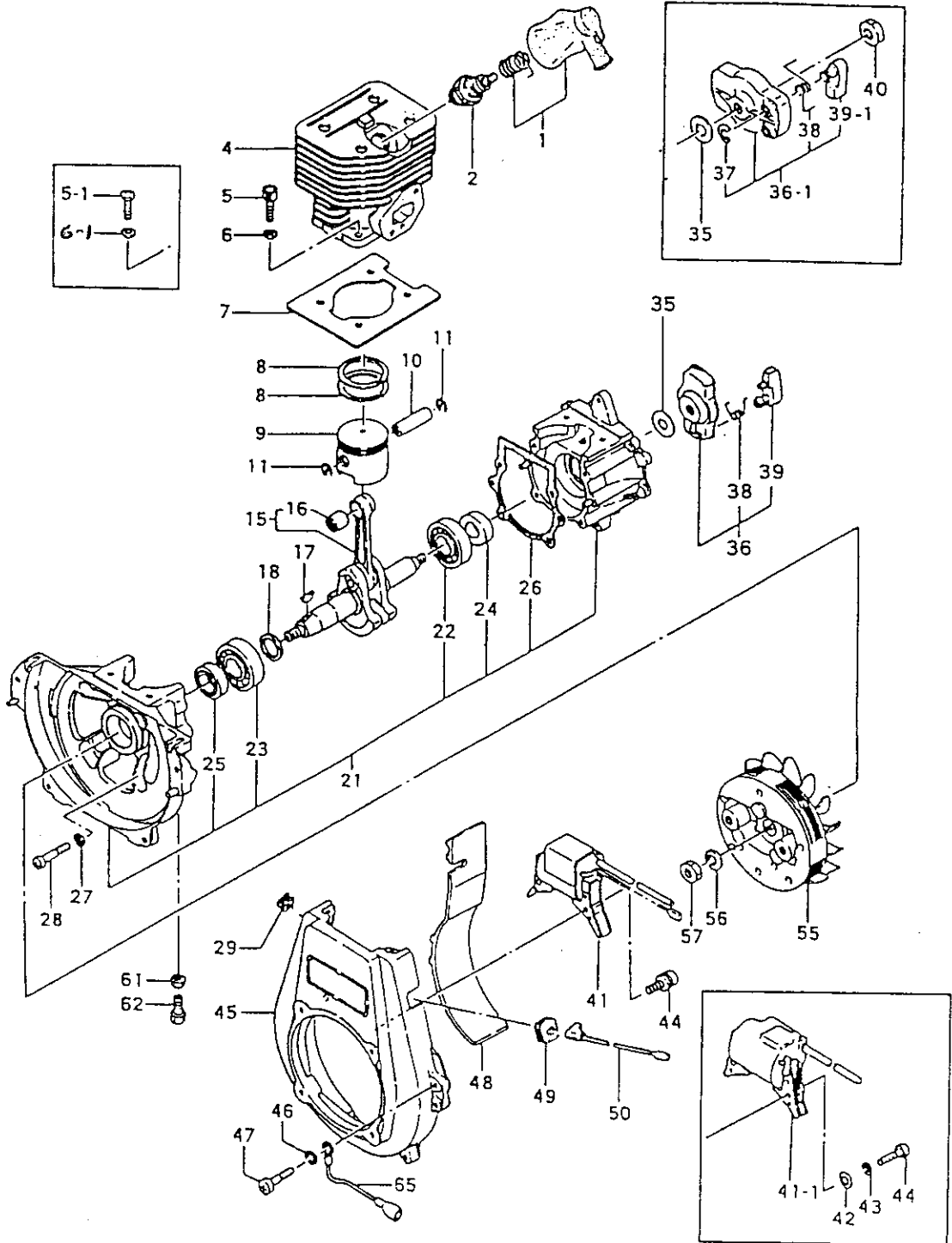


FIGURE 1

TBC-355/DH PARTS LISTING

REF.	PART NO.	PART DESCRIPTION	Q	C	S	SERIAL NO.	REMARKS
1	157-0097A-900	CAP,SPARK PLUG,ASS'Y	1		B		
2	018-02233-200	PLUG,SPARK	1		D		
4	002-01350-201	CYLINDER	1		C	~P158470	
4	002-0143C-20	CYLINDER	1		C	P158471~	
5-1	990-11050-181	SCREW,5X18	4		B	~K045008	
5	990-51050-183	BOLT,HEX,5X18	4		D	K045009~	
6-1	992-10050-012	WASHER,S,5	4		A	~K045008	
6	992-10050-062	WASHER,S,5	4		D	K045009~	
7	017-01380-200	GASKET,CYLINDER	1		C		
8	041-04000-200	RING,PISTON	2		B		
9	031-01350-200	PISTON	1		C		
10	037-01400-200	PIN,PISTON	1		C		
11	039-00000-201	CIRCLIP,PISTON PIN	2		A		
15	046-01350-810	CRANKSHAFT	1		C	~L226280	
15	046-01350-82	CRANKSHAFT	1		D	L226281~	
16	999-62091-325	BEARING,NEEDLE,F-910	1		D		
17	068-10100-200	KEY,WOODRUFF,3X13X4.5	1		C		
18	071-02007-200	SHIM,15.2X20X.05	v		D		
18	071-02007-210	SHIM,15.2X20X.10	v		D		Shims are "as needed" to obtain correct c/s side clearance.
18	071-02007-220	SHIM,15.2X20X.15	v		D		
18	071-11600-230	SHIM,16X21X.20	v		D		
18	071-11600-240	SHIM,16X21X.30	v		D		
21	072-0138T-90	CRANKCASE,ASS'Y	1		D	~P104440	Includes bearings, seals & gasket
21	072-0138T-91	CRANKCASE,ASS'Y	1		D	~P158470	Includes bearings, seals & gasket
21	072-0138A-90	CRANKCASE,ASS'Y	1		D	P158471~	Includes bearings, seals & gasket
22	999-61600-200	BEARING,BALL,#6002	1		B		
23	999-61620-200	BEARING,BALL,#6202	1		B		
24	999-66122-206	SEAL,OIL,#TC12227	1		C		
25	999-66152-511	SEAL,OIL,#VE15X25X7	1		A		
26	090-01380-200	GASKET,CRANKCASE	1		C		
27	992-10050-012	WASHER,S,5	4		A		
28	990-11050-251	SCREW,5X25	4		D		
29	203-06000-200	GROMMET,PRIMARY CORD	1		C	~L015972	
35	359-10112-203	WASHER,CLUTCH B	1		A		
36-1	798-0162V-90	PULLEY,STARTER,ASS'Y	1		C	~N001000	
36	798-0166R-90	PULLEY,STARTER,ASS'Y	1		D	N001001~	
37	993-55050-000	RING,STOP,5	1		D	~N001000	
38	790-0162V-200	SPRING,PAWL,STARTER	1		D		
39-1	788-0162V-20	PAWL,STARTER	1		C	~M210573	

\* Indicates the part is included in a kit or assembly and is not available individually. Q=Quan. used C=Interchangeability S=Stocking code: A=Fast moving B=Med. fast C=Med. move D=Slow move E=N.L.A. F=Superseded or replaced by a new part

FIGURE 1 cont.

TBC-355/DH PARTS LISTING

REF.	PART NO.	PART DESCRIPTION	Q	C	S	SERIAL NO.	REMARKS
39	788-0138A-20	PAWL,STARTER	1		D	M210574~	
40	991-01080-011	NUT,8	1		B	~N001000	
41-1	167-21951-800	COIL,IGNITION	1		C	~P158470	
41	167-21960-80	COIL,IGNITION	1		C	P158471~	
42	992-00040-011	WASHER,4	2		B		
43	992-10040-012	WASHER,S,4	2		B		
44	994-16040-226	SCREW,WS,4X22	2		D		
45	112-01360-22	CASE,FAN	1		D		
46	992-10050-012	WASHER,S,5	4		A		
47	990-11050-181	SCREW,5X18	4		B		
48	132-01300-200	PAN,FLASH	1		D		
49	203-0604A-202	GROMMET	1		C		
50	178-0137H-810	CORD,STOP	1		D	~M210573	
50	178-0137R-800	CORD,STOP	1		D	~P158470	
55	155-21733-800	ROTOR,MAGNETO	1		D		
56	992-01080-011	WASHER,8	1		A		
57	991-01080-011	NUT,8	1		B		
61	991-01060-013	NUT,6	1		B	~P158470	
62	894-01401-201	RECEIVER,OUTER	1		B	~P158470	
65	274-0097A-800	CORD,EARTH	1		D	~M210573	
65	274-0137G-800	CORD,EARTH 150	1		D	M210574~	

\* Indicates the part is included in a kit or assembly and is not available individually. Q=Quan. used C=Interchangeability S=Stocking code: A=Fast moving B=Med. fast C=Med. move D=Slow move E=N.L.A. F=Superseded or replaced by a new part

# FIG.2 ENGINE COMPONENTS

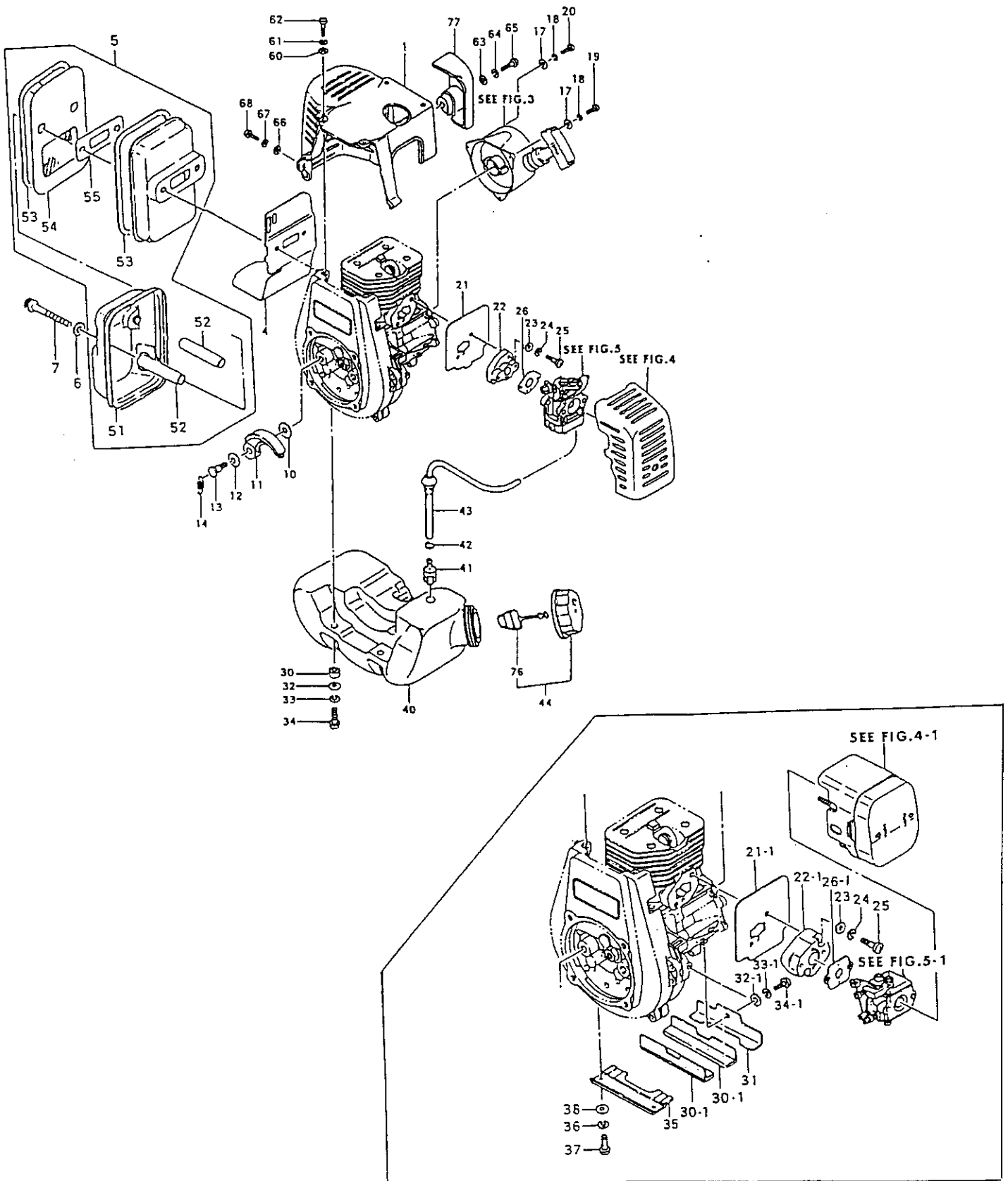


FIGURE 2

## TBC-355/DH PARTS LISTING

REF.	PART NO.	PART DESCRIPTION	Q	C	S	SERIAL NO.	REMARKS
1	738-01380-21	PROTECTOR,MUFFLER	1		B		
4	133-01380-21	SHIELD,HEAT	1		C		
5	706-01320-902	MUFFLER,ASS'Y	1		D		
6	992-01060-011	WASHER,6	2		A		
7	990-53060-653	SCREW,HEX,6X65	2		D		
10	359-10112-203	WASHER,CLUTCH B	2		A		
11	276-0138A-90	SET,CLUTCH SHOE/SPRING	2		C	~P002600	
11	290-0138A-80	SHOE,CLUTCH	2		C	P002601~	
12	358-10112-201	WASHER,CLUTCH	2		A		
13	357-0136U-200	BOLT,STEP,CLUTCH	2		B		
14	342-0136U-200	SPRING,CLUTCH	1		A	~P002600	
14	342-0138A-20	SPRING,CLUTCH	1		C	P002601~	
17	992-00040-011	WASHER,4	3		B		
18	992-10040-012	WASHER,S,4	3		B		
19	990-11040-161	SCREW,4X16	2		A		
20	990-11040-251	SCREW,4X25	1		C	K165646~	
21-1	403-01350-200	GASKET,INLET MANIFOLD	1		C	~P158470	
21	403-0143C-20	GASKET,INTAKE	1		B	P158471~	
22-1	404-01320-202	INSULATOR,CARBURETOR	1		D	~P158470	
22	404-0143C-80	INSULATOR,CARBURETOR	1		C	P158471~	
23	992-00050-011	WASHER,SMALL,5	2		C		
24	992-10050-012	WASHER,S,5	2		A		
25	990-11050-221	SCREW,5X22	2		B		
26-1	402-00601-20	GASKET,CARBURETOR	1		A	~P158470	
26	402-0602K-21	GASKET,CARBURETOR	1		B	P158471~	
30-1	655-01300-200	CUSHION,TANK	2		C	~P158470	
30	659-00801-200	COLLAR,TANK HOLDING METAL	3		C	P158471~	
31	653-01300-201	METAL,TANK HOLDING	1		C	~P158470	
32-1	992-01060-011	WASHER,6	1		A	~P158470	
32	992-01050-011	WASHER,5	3		A	P158471~	
33-1	992-10060-012	WASHER,S,6	1		A	~P158470	
33	992-10050-012	WASHER,S,5	3		A	P158471~	
34-1	990-11060-141	SCREW,6X14	1		C	~P158470	
34	990-11050-181	SCREW,5X18	3		B	P158471~	
35	654-01320-200	BRACKET,TANK	1		C	~P158470	
36	992-10050-012	WASHER,S,5	2		A	~P158470	
37	990-11050-121	SCREW,5X12	4		A	~P158470	
38	992-01050-011	WASHER,5	2		A		
40	591-01380-200	TANK,FUEL	1		D	~P158470	

\* Indicates the part is included in a kit or assembly and is not available individually. Q=Quan. used C=Interchangeability S=Stocking code: A-Fast moving B=Med. fast C=Med. move D=Slow move E=N.L.A. F=Superseded or replaced by a new part

FIGURE 2 cont.

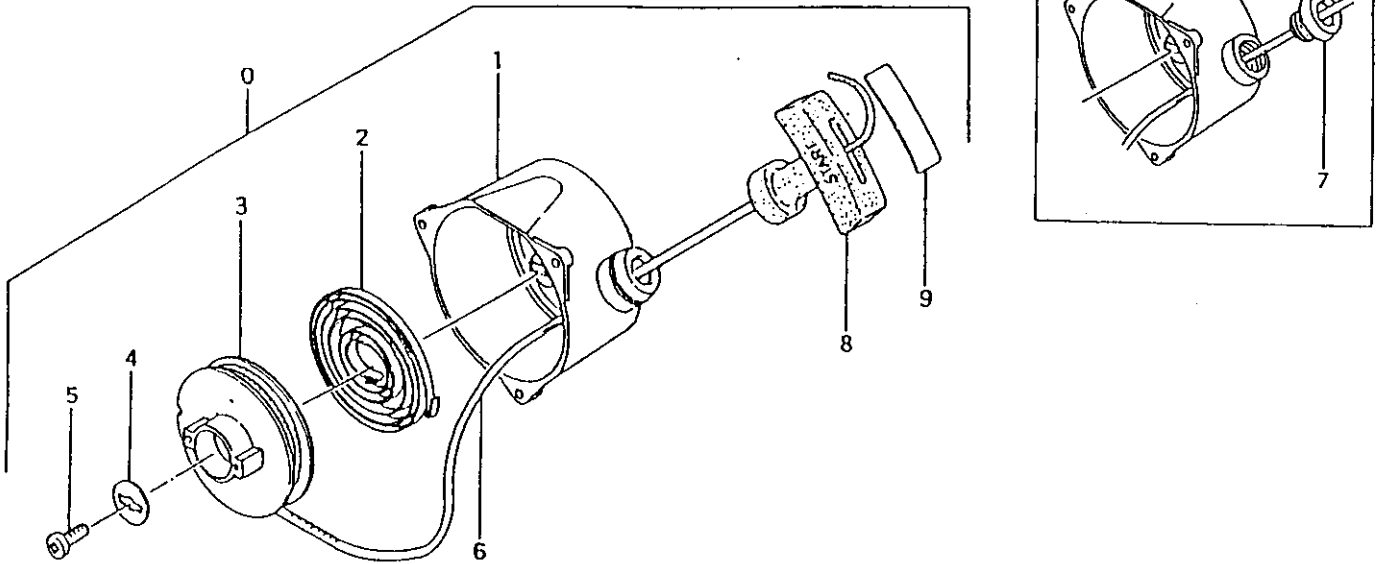
TBC-355/DH PARTS LISTING

REF.	PART NO.	PART DESCRIPTION	Q	C	S	SERIAL NO.	REMARKS
40	591-0138A-20	TANK,FUEL	1		D	P158471~	
41	675-01630-900	FILTER,FUEL	1		A		
42	680-00731-201	CLIP	1		B		
43	223-01251-901	PIPE,FUEL,3X5X230	1		C	~P158470	
43	223-0622U-900	PIPE,FUEL,ASS'Y	1		C	P158471~	
44	595-05024-90	CAP,TANK	1		A		
51	717-01320-802	BODY,MUFFLER B	1		C		
52	740-0136G-200	COLLAR,MUFFLER	2		D		
53	739-01320-201	GASKET,MUFFLER	2		C		
54	722-01320-801	PARTITION,MUFFLER	1		D		
55	718-0136S-200	FLANGE,MUFFLER	1		D		
60	992-01040-011	WASHER,4	2		C		
61	992-10040-012	WASHER,S,4	2		B		
62	990-11040-121	SCREW,4X12	2		B		
63	992-01050-011	WASHER,5	1		A		
64	992-10050-012	WASHER,S,5	1		A		
65	990-11050-121	SCREW,5X12	1		A	~P158470	
65	990-11050-251	SCREW,5X25	1		D	P158471~	
66	992-01040-011	WASHER,4	1		C	~P104440	
67	992-10040-012	WASHER,S,4	1		B	~P104440	
68	990-11040-121	SCREW,4X12	1		B	~P104440	
77	132-0130A-20	DEFLECTOR; AIR	1		D	P158471~	

\* Indicates the part is included in a kit or assembly and is not available individually. Q=Quan. used C=Interchangeability S=Stocking code: A=Fast moving B=Med. fast C=Med. move D=Slow move E=N.L.A. F=Superseded or replaced by a new part



**FIG.3 RECOIL STARTER**

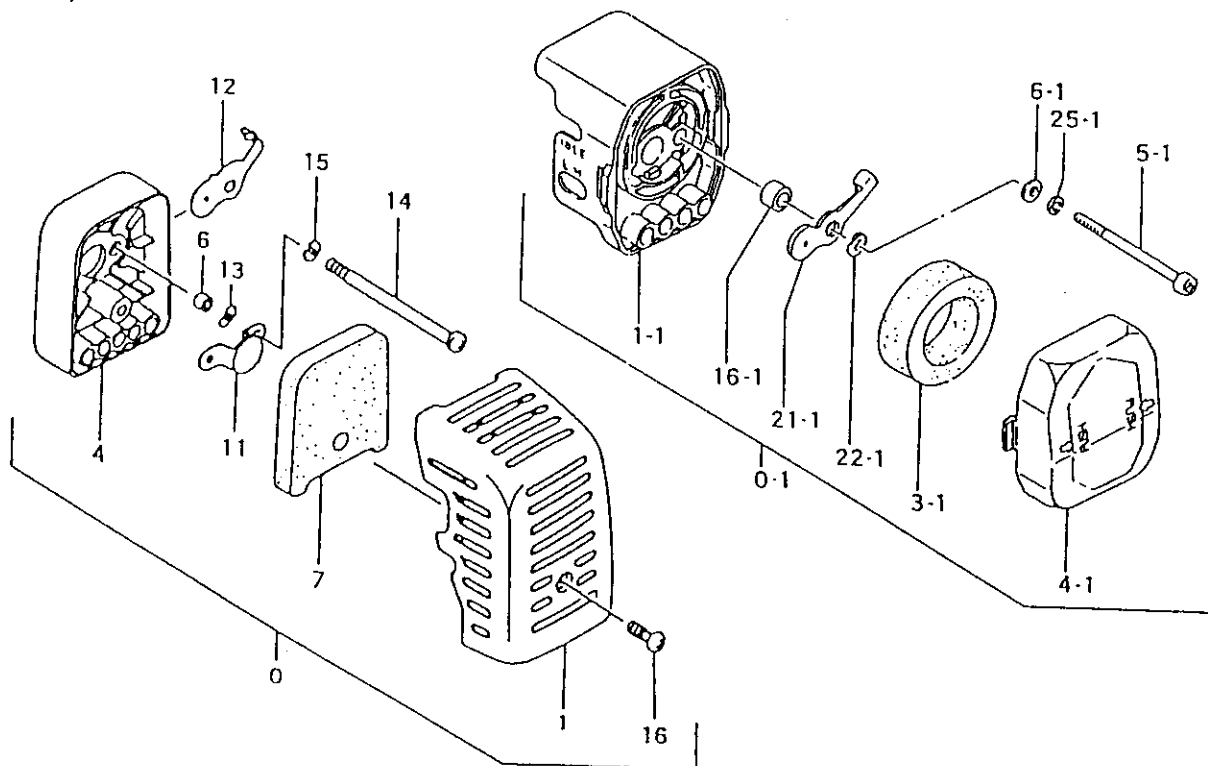


**FIGURE 3**

**TBC-355/DH PARTS LISTING**

REF.	PART NO.	PART DESCRIPTION	Q	C	S	SERIAL NO	REMARKS
0	762-0136U-901	STARTER,RECOIL ASS'Y	1		C		
1-1	772-0136U-201	BODY,STARTER	1		D	~M033150	
1	772-0136U-80	BODY,STARTER	1		D	M033151~	
2	779-0136U-200	SPRING,RECOIL	1		C		
3	774-0162V-200	REEL,STARTER ROPE	1		B		
4	801-0162V-200	WASHER,ROPE REEL	1		D	~Q222486	
5	990-15050-121	SCREW,5X12	1		A		
6	783-0136U-200	ROPE,STARTER	1		C		
7	782-06097-200	RECEIVER,ROPE	1		D	~M033150	
8	785-01620-200	HANDLE,STARTER	1		C		
9	795-01620-200	SEAL,HANDLE KNOB	1		D		

**FIG.4 AIR CLEANER**



**FIGURE 4**

**TBC-355/DH PARTS LISTING**

REF.	PART NO.	PART DESCRIPTION	Q	C	S	SERIAL NO.	REMARKS
0-1	410-01380-900	CLEANER,AIR ASSY	1		C	-P158470	
1-1	423-0137R-20	BODY,AIR CLEANER	1		D		
3-1	446-0602W-200	ELEMENT,CLEANER	1		A		
4-1	424-0137R-200	COVER,AIR CLEANER	1		B		
5-1	990-11050-551	SCREW,5X55	2		C		
6-1	992-01050-011	WASHER,5	2		A		
16-1	470-0602N-200	COLLAR,CLEANER	2		C		
21-1	528-0602W-202	PLATE,CHOKE	1		D		
22-1	992-04080-030	WASHER,8	1		C		
25-1	992-10050-012	WASHER,S,5	2		A		
0	410-0138A-90	CLEANER,AIR ASSY	1		C	P158471~	
1	452-01380-90	COVER,CLEANER ASSY	1		C	"	
4	423-01380-80	BODY,AIR CLEANER	1		D	"	
6	470-0602N-200	COLLAR,CLEANER	1		C	"	
7	446-01380-20	ELEMENT,CLEANER	1		A	"	
11	476-01700-200	BOARD,BLOW OVER CHECK	1		D	"	
12	528-01380-20	VALVE,CHOKE	1		D	"	
13	992-04080-030	WASHER,8	1		C	"	
14	990-11050-571	SCREW,5X57	2		C	"	
15	992-10050-012	WASHER,S,5	2		A	"	
16	380-0637C-200	BOLT,CLEANER	1		B	"	

**FIG.5 CARBURETOR**

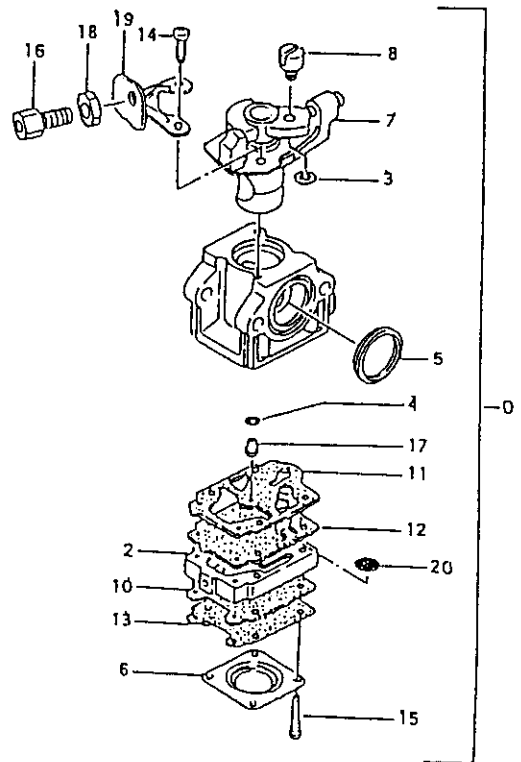
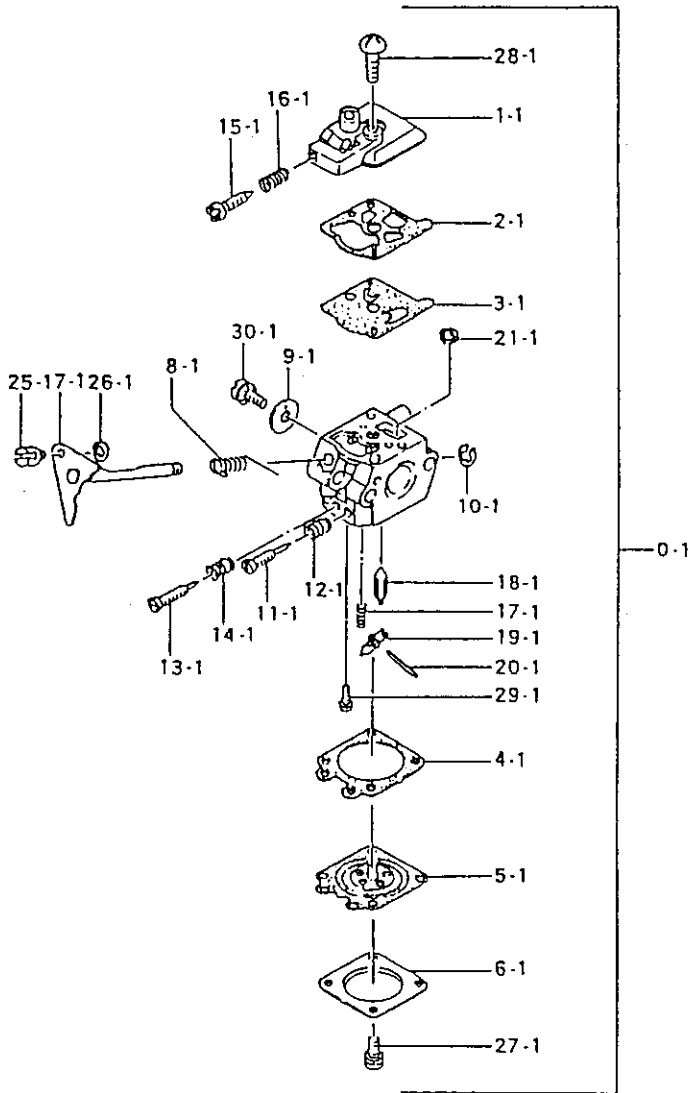


FIGURE 5

TBC-355/DH PARTS LISTING

REF.	PART NO.	PART DESCRIPTION	Q	C	S	SERIAL NO.	REMARKS
0-1	455-25041-900	CARBURETOR,ASS'Y	1		D	-P158470	WT Carb
0	455-25168-90	CARBURETOR,ASS'Y	1		C	P158471-	
1-1	575-25028-200	BODY,PUMP	1		D		
2-1	----	*GASKET,PUMP	1		D		* Included in Carb. Repair Kit
3-1	----	*DIAPHRAGM,PUMP	1		C		650-25001-910
4-1	----	*GASKET,DIAPHRAGM	1		A		Not available individually
5-1	----	*DIAPHRAGM,METERING	1		A		
6-1	476-25004-200	COVER,DIAPHRAGM	1		D		
7-1	464-25041-800	SHAFT,THROTTLE	1		D		** Included in Carb. Repair Kit
8-1	486-25009-200	SPRING,THROTTLE	1		C		650-25124-900
9-1	488-25008-200	VALVE,THROTTLE	1		D		Not available individually
10-1	489-25007-200	RING,STOP	1		C		
11-1	460-25041-200	SCREW,HIGH ADJUST	1		D		
12-1	485-25040-200	SPRING,ADJUST,HIGH	1		D		
13-1	461-25023-200	SCREW,LOW ADJUST	1		D		
14-1	623-25032-200	SPRING,ADJUST,HI/LOW	1		D		
15-1	462-25006-200	SCREW,IDLE ADJUST	1		D		
16-1	463-25012-200	SPRING,IDLE ADJUST	1		D		
17-1	477-25013-200	SPRING,VALVE	1		D		
18-1	----	*VALVE,NEEDLE	1		C		
19-1	----	*HINGE,VALVE	1		C		
20-1	----	*PIN,FLOAT	1		D		
21-1	----	*SCREEN,INLET	1		C		
25-1	539-25008-200	SWIVEL	1		C		
26-1	489-25008-200	RING,STOP	1		C		
27-1	548-25012-200	SCREW,SET	4		D		
28-1	514-25001-200	SCREW,SET	1		D		
29-1	546-25001-200	SCREW,SET,HINGE PIN	1		D		
30-1	467-25003-200	SCREW,SHUTTER	1		C		
2	575-25152-80	BODY,PUMP	1		C	P158471-	WYJ Carb.
3	489-25100-200	RING,STOP	1		D	"	
4	550-25100-200	O-RING	1		C	"	
5	431-0634C-200	PACKING,CLEANER	1		C	"	
6	476-25004-200	COVER,DIAPHRAGM	1		D	"	
7	488-25120-900	VALVE,THROTTLE	1		D	"	
8	539-25120-200	SWIVEL	1		D	"	
10	----	**GASKET,DIAPHRAGM .78mm	1		D	"	
11	----	**GASKET,PUMP	1		B	"	

\* Indicates the part is included in a kit or assembly and is not available individually. Q=Quan. used C=Interchangeability S=Stocking code: A=Fast moving B=Med. fast C=Med. move D=Slow move E=N.L.A. F=Superceded or replaced by a new part

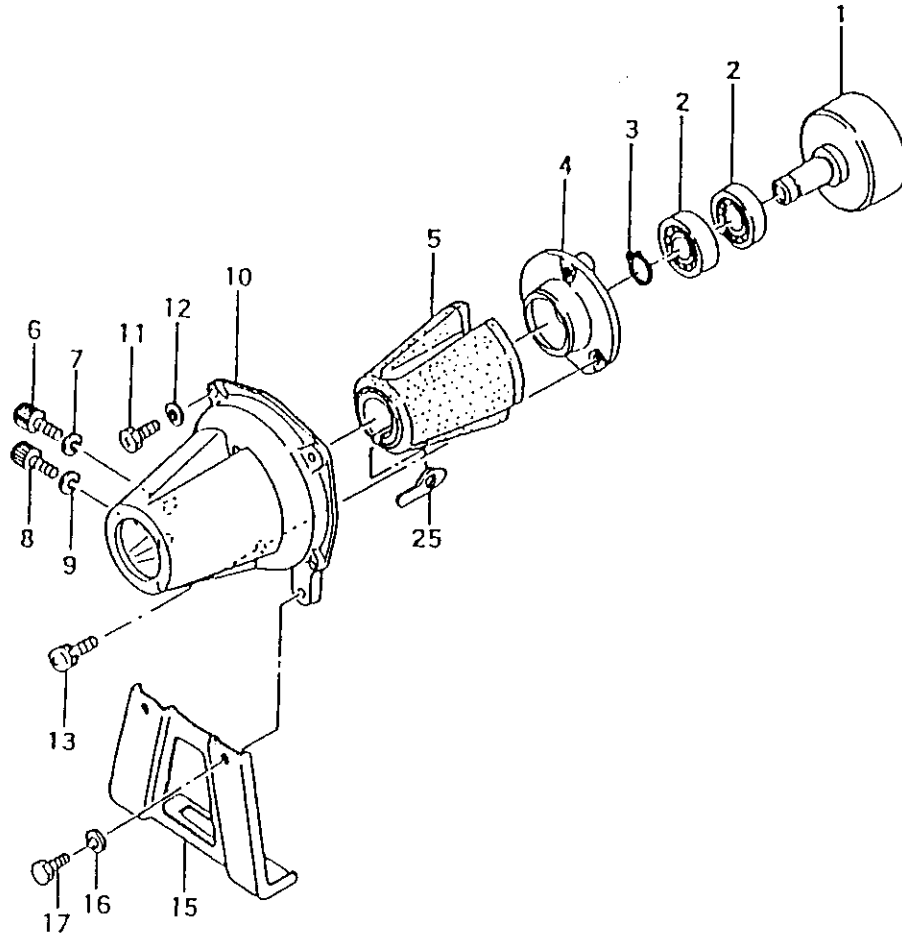
FIGURE 5 cont.

**TBC-355/DH PARTS LISTING**

REF.	PART NO.	PART DESCRIPTION	Q	C	S	SERIAL NO.	REMARKS
12	----	**DIAPHRAGM,PUMP	1		B		
13	----	**DIAPHRAGM,METERING	1		A		
14	514-25100-200	SCREW,THROTTLE SET	2		D		
15	548-25101-200	SCREW,SET	4		D		
16	614-25137-200	ADJUSTER,CABLE	1		D		
17	599-2000W-430	JET,MAIN,#43	1		D		
18	991-01060-013	NUT,6	1		B		
19	544-25120-200	STAY,ADJUST,CABLE	1		D		
20	----	**SCREEN,INLET	1		C		

\* Indicates the part is included in a kit or assembly and is not available individually. Q=Quan. used C=Interchangeability S=Stocking code: A=Fast moving B=Med. fast C=Med. move D=Slow move E=N.L.A. F=Superceded or replaced by a new part

# FIG.6 CLUTCH CASE



**FIGURE 6 TBC-355/DH PARTS LISTING**

REF.	PART NO.	PART DESCRIPTION	Q	C	S	SERIAL NO.	REMARKS
1	289-01370-801	SHAFT,CLUTCH	1		C		
2	999-61600-102	BEARING,BALL,#6001Z	2		B		
3	993-50012-002	RING,STOP,C-12 EX	1		A		
4	374-0631A-20	FLANGE,CLUTCH	1		B		
5	599-0165A-801	CUSHION	1		D		
6	990-51050-103	BOLT,HEX.HOLE,5X10	1		C		
7	992-10050-062	WASHER,S,5	1		D	-L015972	
8	990-51050-203	BOLT,HEX.HOLE,5X20	1		C		
9	992-10050-062	WASHER,S,5	1		D		
10	331-33684-201	CASE,CLUTCH	1		D		
11	990-23060-221	BOLT,PLUS,6X22	4		C		
12	992-10060-012	WASHER,S,6	4		A		
13	994-14050-122	SCREW,S,5X12	3		B		
15	739-33681-200	STAND	1		C		
16	992-10050-012	WASHER,S,5	2		A		
17	990-21050-101	BOLT,5X10	2		D		
25	249-0165A-21	SPACER	1		D		



FIGURE 7 HANDLE A

## TBC-355/DH PARTS LISTING

REF.	PART NO.	PART DESCRIPTION	Q	C	S	SERIAL NO.	REMARKS
1	343-37454-200	SHAFT,DRIVE	1		C		
2	341-37454-800	PIPE,DRIVE SHAFT	1		C		
3	347-33411-912	BUSHING,ASS'Y	5		D		
4	990-51050-163	BOLT,HEX,5X16	4		C		
5	992-10050-062	WASHER,S,5	4		D		
6	506-37110-203	BRACKET,HANDLE,A	1		D		
7	507-37110-200	BRACKET,HANDLE B	1		D		
8	508-37100-200	BRACKET	1		D		
9	992-10060-062	WASHER,S,6	2		A		
10	990-53060-203	BOLT,HEX,6X20	2		C		
12	335-37307-200	METAL,LIFTING	1		D		
13	334-37352-210	COLLAR,LIFTING METAL	2		D		
14	315-37304-200	NUT,SPECIAL	1		D		
15	990-51050-303	BOLT,HEX,5X30	2		D		
16	992-01050-061	WASHER,5	2		D		
18	501-33674-200	HANDLE,RIGHT	1		D		
19	502-33674-21	HANDLE,LEFT	1		C		
20	503-37113-200	GRIP,HANDLE R	1		D		
21	165-33130-200	GRIP,HANDLE A	1		C		
22	178-37100-800	CORD,STOP	2		B		
23	885-37100-801	WIRE,THROTTLE	1		B		
24	164-13038-01	TUBE,PROTECTION	1		C		
25	499-37100-200	GROMMET,PIPE	1		C		
26	870-37101-900	LEVER,THROTTLE ASS'Y	1		B		
27	993-42030-081	SCREW, TAPPING, 3X8	3		D		
28	162-37101-200	SWITCH,STOP	1		C		
29	259-37101-200	BASE,STOP SWITCH	1		C		
30	262-37101-200	SPRING,STOP SWITCH	1		D		
31	177-37101-200	TERMINAL,EARTH B	1		C		
32	176-37101-200	TERMINAL,EARTH A	1		D		
33	991-86050-000	NUT,LOCK,5	1		D		
34	993-55060-001	RING,STOP,6	1		D		
35	994-31050-251	SCREW,S.,5X25	1		C		
36	853-37101-200	SHAFT,LOCK BUTTON	1		D		
37	958-37101-200	SPRING,LOCK,BUTTON	1		D		
38	956-37101-200	BUTTON,LOCK	1		D		
39	832-37101-200	SPRING,RETURN	1		C		
40	880-37101-200	LEVER,THROTTLE	1		B		
43	460-33111-900	CLAMP	1		B		

\* Indicates the part is included in a kit or assembly and is not available individually. Q=Quantity used C=Interchangeability S=Stocking code: A=Fast moving B=Med. fast C=Med. move D=Slow move E=N.L.A. F=Superseded or replaced by a new part



**FIGURE 7 HANDLE A cont. TBC-355/DH PARTS LISTING**

REF.	PART NO.	PART DESCRIPTION	Q	C	S	SERIAL NO.	REMARKS
44	336-33411-811	PAD,CUSHION	1		D		
46	888-04030-200	CASE,CONNECTOR	1		A		
51	319-37100-200	CUSHION	2		D		
52	449-37100-202	LOCK,SHAFT B	1		D		
53	448-37100-202	LOCK,SHAFT A	1		D		
54	992-10050-062	WASHER,S,5	2		D		
55	990-51050-183	BOLT,HEX,5X18	2		D		
60	444-37000-200	SPACER,BRACKET	2		D		
83	885-0137J-800	WIRE,THROTTLE	1		B		
84	279-11012-505	TUBE,VINYL	1		D	~L238057	
84	164-13012-000	TUBE,PROTECTION	1		D	L238058~	
86	SS-400	STRAP,SHOULDER	1		B		
87	738-37113-900	BUCKLE,SS-400,ASS'Y	1		D		
88	748-37113-800	HOOK,SS-400	1		D		

\* Indicates the part is included in a kit or assembly and is not available individually. Q=Quan. used C=Interchangeability S=Stocking code: A=Fast moving B=Med. fast C=Med. move D=Slow move E=N.L.A. F=Superceded or replaced by a new part



FIGURE 7 HANDLE B

TBC-355/DH PARTS LISTING

REF.	PART NO.	PART DESCRIPTION	Q	C	S	SERIAL NO.	REMARKS
1	343-37454-200	SHAFT,DRIVE	1		C	~N201750	
1	343-33699-20	SHAFT,DRIVE	1		C	N201751~	
2	341-37454-800	PIPE,DRIVE SHAFT	1		C	~Q007550	
2	341-37356-80	PIPE,DRIVE SHAFT	1		C	Q007551~	
3	347-33411-912	BUSHING,DRIVE SHAFT	5		D	~N201750	
3	347-37356-900	BUSHING,DRIVE SHAFT	5		C	N201751~	
6	162-37101-200	SWITCH,STOP	1		C		
7	993-42030-081	SCREW, TAPPING, 3X8	3		D		
8	259-37101-200	BASE,STOP SWITCH	1		C		
9	262-37101-200	SPRING,STOP SWITCH	1		D		
30	177-37101-200	TERMINAL,EARTH B	1		C		
31	17637101200	TERMINAL,EARTH A	1		D		
32	991-86050-000	NUT,LOCK,5	1		D		
33	993-55060-001	RING,STOP,6	1		D		
34	832-37101-200	SPRING,RETURN	1		C		
35	880-37101-200	LEVER,THROTTLE	1		B		
36	994-31050-251	SCREW,S.,5X25	1		C		
37	853-37101-200	SHAFT,LOCK BUTTON	1		D		
38	958-37101-200	SPRING,LOCK,BUTTON	1		D		
39	956-37101-200	BUTTON,LOCK	1		D		
42	335-37307-200	METAL,LIFTING	1		D		
43	334-37352-210	COLLAR,LIFTING METAL	2		D		
44	990-51050-303	BOLT,HEX,5X30	2		D		
45	992-01050-061	WASHER,5	2		D		
46	315-37304-200	NUT,SPECIAL	1		D		
62	503-37113-200	GRIP,HANDLE R	1		D		
63	165-33130-200	GRIP,HANDLE A	1		C		
64	990-51050-253	BOLT,HEX,5X25	4		B		
65	992-10050-062	WASHER,S,5	4		D		
66	506-37304-211	BRACKET,HANDLE,A	1		D		
67	507-37304-203	BRACKET,HANDLE,B	1		D		
68	510-37352-201	CUSHION,RUBBER	1		C		
69	508-37304-211	BRACKET,HANDLE,C	1		D		
70	992-10060-062	WASHER,S,6	2		A		
71	990-53060-253	BOLT,HEX,6X25	2		C		
72	336-33411-811	PAD,CUSHION	1		D	~N201750	
72	336-33411-82	CUSHION	1		C	N201751~	
74	460-33111-900	CLAMP	1		B		
75	500-33673-20	HANDLE	2		D		

\* Indicates the part is included in a kit or assembly and is not available individually. Q=Quan. used C=Interchangeability S=Stocking code: A=Fast moving B=Med. fast C=Med. move D=Slow move E=N.L.A. F=Superceded or replaced by a new part

REF.	PART NO.	PART DESCRIPTION	Q	C	S	SERIAL NO	REMARKS
76	178-37108-800	CORD,STOP	2		D		
77	164-13044-01	TUBE,PROTECTION	1		D	~P158470	
77	164-10022-01	TUBE,PROTECTION	1		C	P158471~	
78	885-0137Q-80	WIRE,THROTTLE	1		D	~P158470	
78	885-0143U-80	WIRE,THROTTLE	1		C	P158471~	
80	499-37100-200	GROMMET,PIPE	1		C		
85	870-37101-900	LEVER,THROTTLE ASS'Y	1		B		
90	164-10044-00	TUBE,PROTECTION	1		D	P158471~	
91	746-37455-901	STRAP,SHOULDER	1		B	P158471~	

\* Indicates the part is included in a kit or assembly and is not available individually. Q=Quan. used  
 C=Interchangeability S=Stocking code: A-Fast moving B=Med. fast C=Med. move D=Slow move  
 E=N.L.A. F=Supersceded or replaced by a new part



FIGURE 8

TBC-355/DH PARTS LISTING

REF.	PART NO.	PART DESCRIPTION	Q	C	S	SERIAL NO.	REMARKS
1-1	300-37000-920	CASE,GEAR,ASSY	1		C	~N201750	
1	300-37452-90	CASE,GEAR ASSY	1		C	~Q222486	
1	300-33395-90	CASE,GEAR ASSY	1		C	Q222487~	
3-1	300-33410-220	CASE,GEAR	1		C		
6-1	304-37000-200	SHAFT,GEAR	1		D		
7-1	999-61600-000	BEARING,BALL,#6000	2		C		
8-1	999-61600-002	BEARING,BALL,#6000Z	1		D		
9-1	999-61600-203	BEARING,BALL,#6002D	1		C		
10-1	993-51032-002	RING,STOP,C-32 IN	1		C		
11-1	993-50010-002	RING,STOP,C-10 EX	1		C		
12-1	993-51026-002	RING,STOP,IN,C-26	1		D		
13-1	324-33410-201	WASHER,GEAR CASE	2		C		
14-1	990-51050-203	BOLT,HEX.HOLE,5X20	2		C		
15-1	990-23060-121	BOLT,PLUS,6X12	2		C		
16-1	991-01050-011	NUT,5	2		A		
17-1	317-33411-201	GASKET,OIL	1		D		
20-1	310-33524-20	HOLDER,CUTTER	1		C		
21-1	311-33411-201	CAP,CUTTER HOLDER	1		B	~M220073	
21-1	311-33386-201	CAP,CUTTER HOLDER	1		C	M220074~	
22-1	992-29080-000	WASHER,TOOTHED LOCK,8	1		B	~M178400	
23-1	312-33411-200	BOLT,CUTTER FIXING (LEFT)	1		A	~M178400	
23-2	312-33386-20	BOLT, FIXING, L.H.	1		C	M178401~	
24-1	992-01080-011	WASHER,8	1		A	~M178400	
25-1	316-33410-200	PROTECTOR,BOLT	1		A	~M210573	
35-1	301-33411-00	SET,GEAR/PINION	1		C	~N201750	
2	990-51050-253	BOLT,HEX,5X25	2		B		
3	992-10050-062	WASHER,S,5	2		D		
4	993-51024-002	RING,STOP,C-28,IN	1		C		
5	993-50009-002	RING,STOP,C9	1		D		
6	999-61609-002	BEARING,BALL,#609Z	1		D		
7	999-61609-000	BEARING,BALL,#609	1		D		
9	300-37380-20	CASE,GEAR	1		D	~Q222486	
9	300-3330B-20	CASE,GEAR	1		C	Q222487~	
11	990-51050-103	BOLT,HEX.HOLE,5X10	1		C		
12	990-14080-104	SCREW,8X10	1		A		
13	999-61628-000	BEARING,BALL,#628	1		D		
15	304-37380-20	SHAFT,GEAR	1		D		
16	999-61620-103	BEARING,BALL #6201D	1		D		
17	993-51032-002	RING,STOP,C-32 IN	1		C		

\* Indicates the part is included in a kit or assembly and is not available individually. Q=Quan. used C=Interchangeability S=Stocking code: A=Fast moving B=Med. fast C=Med. move D=Slow move E=N.L.A. F=Superceded or replaced by a new part

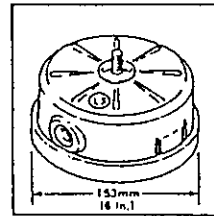
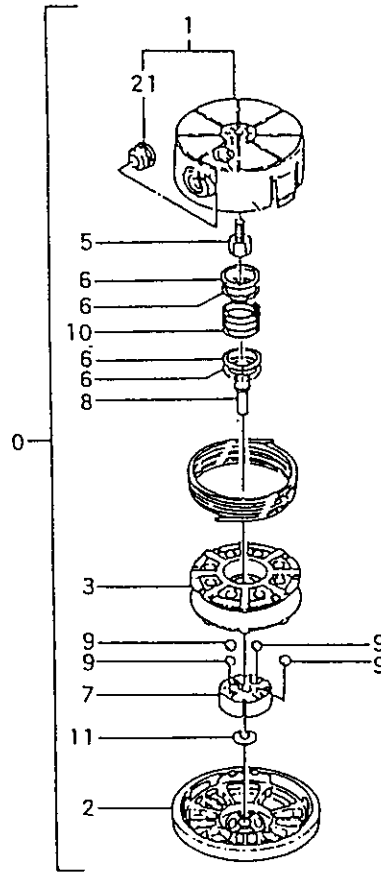
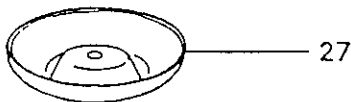
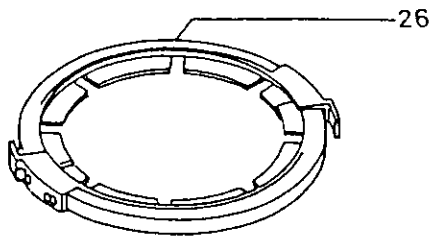
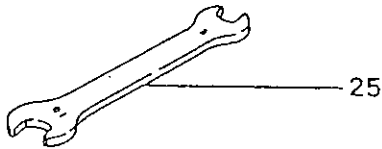
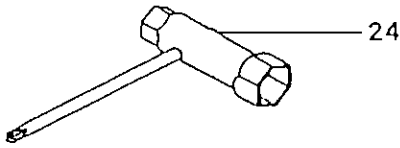
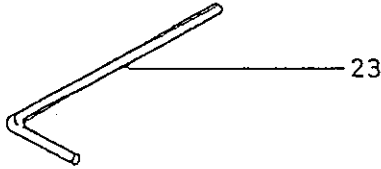
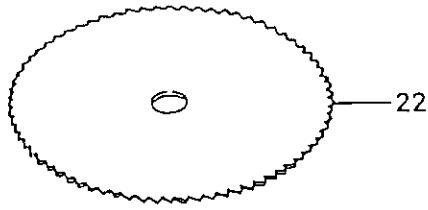
FIGURE 8 cont.

TBC-355/DH PARTS LISTING

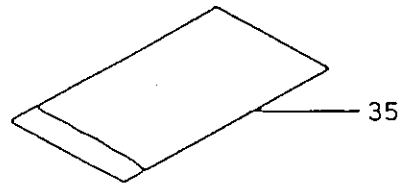
REF.	PART NO.	PART DESCRIPTION	Q	C	S	SERIAL NO.	REMARKS
18	310-37623-202	HOLDER,CUTTER	1		B		
19	311-37300-20	CAP,CUTTER HOLDER	1		A		
22	312-33386-20	BOLT, FIXING, L.H.	1		C		
23	324-37350-20	WASHER,GEAR CASE	1		D		
26	990-53060-153	BOLT,HEX,6X15	2		B		
27	992-10060-062	WASHER,S,6	2		A		
28	442-33671-201	BRACKET	1		B	~Q222486	
28	442-37325-20	BRACKET	1		C	Q222487~	
29	441-37003-802	GUARD,SAFETY	1		B		
33	307-37307-200	PROTECTOR,WINDING	1		D	M210574~	
35	301-33395-00	SET,GEAR/PINION	1		C	N201751~	

\* Indicates the part is included in a kit or assembly and is not available individually. Q=Quan. used C=Interchangeability S=Stocking code: A-Fast moving B=Med. fast C=Med. move D=Slow move E=N.L.A. F=Superceded or replaced by a new part

# FIG.9 TOOLS & NYLON HEAD



TH-95LS





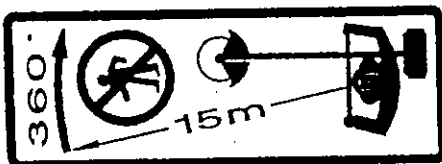
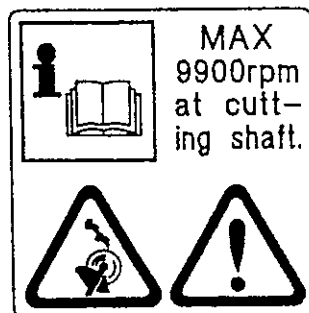
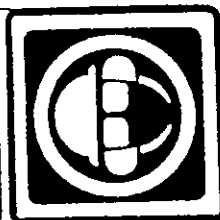
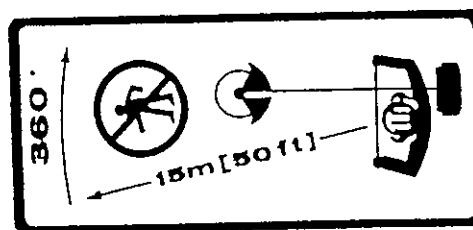
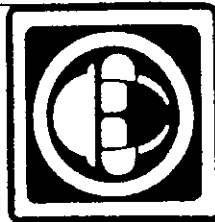
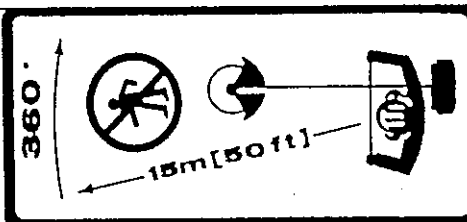
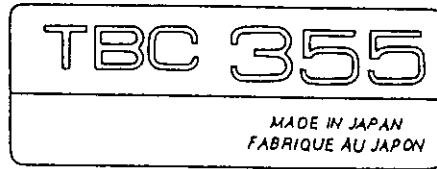
**FIGURE 9**

**TBC-355/DH PARTS LISTING**

REF.	PART NO.	PART DESCRIPTION	Q	C	S	SERIAL NO.	REMARKS
0	783-33669-93	TANAKA AUTO HEAD (LS)	1		C		
1	786-33670-92	BODY,CUTTING	1		C		
2	789-33670-23	CAP,BODY	1		B		
3	787-33670-210	REEL,(L)	1		C		
5	314-33670-20	BOLT,8X1.25 LH GOLD	1		A		
6	792-33004-200	WASHER,REEL	5		A		
7	790-33004-200	SLIDER,REEL	1		A		
8	791-33004-200	HOOK,REEL SLIDER	1		A		
9	673-35600-20	BALL,STEEL	4		B		
10	793-33972-200	SPRING,REEL,ORANGE	1		A		
11	358-02103-200	WASHER,CLUTCH A	1		A		
21	788-33670-21	EYELET	2		C		
22	4636100	BLADE,SAW,10",80 TOOTH	1		D		
23	813-20000-200	WRENCH,HEX,4	1		D		
24	826-20000-80	SPANNER,COMBI,17X19	1		C		
25	801-20000-200	SPANNER,8X10	1		D		
26	BP-100	PROTECTOR,BLADE,9/10"	1		E		
27	308-33410-200	COVER,PROTECTION,B	1		D		

\* Indicates the part is included in a kit or assembly and is not available individually. Q=Quan. used C=Interchangeability S=Stocking code: A=Fast moving B=Med. fast C=Med. move D=Slow move E=N.L.A. F=Superseded or replaced by a new part

FIG.10 MARKS



**FIGURE 10**

**TBC-355/DH PARTS LISTING**

REF.	PART NO.	PART DESCRIPTION	Q	C	S	SERIAL NO	REMARKS
1	950-37900-200	DECAL,PRO-FORCE A	1		C		
2	906-0138U-200	DECAL,TBC-355	1		D		
3	951-31310-200	DECAL,PRO-FORCE B	1		D		
4	919-37701-200	DECAL	1		D		
5	929-0137R-201	DECAL,SYMBOL	1		D		
6	906-47451-200	DECAL,NAME PLATE	1		D		
7	919-37719-20	DECAL	1		D		
15	919-37380-20	DECAL,CAUTION	1		D	P158471~	
16	920-37504-20	DECAL,CAUTION	1		D	P158471~	
17	919-37286-200	DECAL,CAUTION	1		D	P158471~	
18	920-32466-20	DECAL	1		D	P158471~	

\* Indicates the part is included in a kit or assembly and is not available individually. Q=Quantity used C=Interchangeability S=Stocking code: A=Fast moving B=Med. fast C=Med. move D=Slow move E=N.L.A. F=Superseded or replaced by a new part